

product data

E-LAB 2 VACUUM PUMP



The E-LAB 2 pump includes all the components needed for laboratory applications such as those found in wet chemistry and sample preparation.

Based on Edwards proven past experience with vacuum pumps and developments in accessories, the E-LAB 2 pump allows continuous running, even in the presence of water and solvents.

FEATURES AND BENEFITS

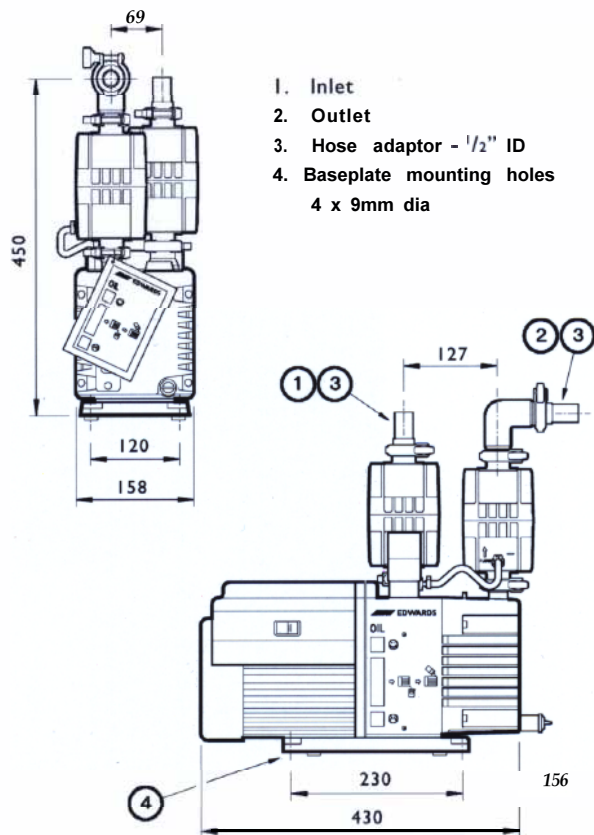
- One part number covers all the **pac** kage
 - Easy to order and set up
- Unique high performance pump
 - Pumping speed and ultimate vacuum superior to diaphragm pumps
 - Good water vapour handling
- Quiet
 - 50 dB(A), less noisy than a typical diaphragm pump
- Integral fast-acting inlet valve
 - Holds system under vacuum in the case of power failure
- High efficiency mist filter
 - No oily smell. Complies with health and safety regulations
- Continuous oil return kit
 - Infrequent oil changes
 - Integral gas ballast
- Internal cartridge design
 - Easy to service

APPLICATIONS

- Rotary evaporators
- Centrifugal concentrators
- Vacuum ovens
- Distillation/extraction apparatus
- Fume hoods/glove boxes
- Vacuum filtration

E-LAB 2 pump

● Speed (Pneurop) (pump only)			
50 Hz	3.3 m ³ h ⁻¹	1.9 cfm	
60 Hz	3.9 m ³ h ⁻¹	2.3 cfm	
● Ultimate total pressure	0.1 mbar	0.09 torr	
● Noise	50 dB(A)		
● Maximum inlet pressure for water vapour	40 mbar	30 torr	
● Maximum water vapour pumping rate			
50 Hz	95 gh ⁻¹	0.21 lbh ⁻¹	
60 Hz	110 gh ⁻¹	0.24 lbh ⁻¹	
● Outlet max. permitted pressure	1 bar (gauge)		
● Inlet/exhaust connections	1/2" id hose adaptor		
● Dimensions (WxDxH) (pump only)	158 mm x 430 mm x 221 mm		
	6.22 in x 16.90 in x 8.86 in		
● Mass (pump only, no oil)	22 kg	48 lb	
● Type of oil	Edwards Ultragrade I9		
● Oil capacity			
Maximum	0.70 litres		
Minimum	0.42 litres		
● Electrical supply			
A652-07-903 and A652-07-906	1 IO-120 V or 220-240 V ph 50/60 Hz		
A652-07-904	100/200 V ph 50/60 Hz		
● Mist filter oil trapping efficiency	99.999%		
● Inlet trap capacity	0.1 litres		



1. Inlet
2. Outlet
3. Hose adaptor - 1/2" ID
4. Baseplate mounting holes
4 x 9mm dia

ORDERING INFORMATION

Product description

- E-LAB 2 set to 220-240 V
- E-LAB 2 set to 1 IO-120V
- E-LAB 2 (1 001200 V | ph 50/60 Hz)
- Line cord set (A652-07-903 version)
- UK plug
- N Europe plug

Ordering number

- A652-07-903
- A652-07-906
- A652-07-904
- A505-05-000
- A505-06-000

SCOPE OF SUPPLY

The E-LAB 2 pump includes outlet mist filter, oil return kit, inlet trap, oil change tag, nozzles, elbow, all fittings, 1 litre oil, instruction manual, line cord set (except for the -903 version. This needs the appropriate line cord set ordered separately).

Specifications may change without notice

EUROPE

ENGLAND CRAWLEY
Telephone +(44) 1293 528844
BELGIUM SINT-PIETERS-LEEUV
Telephone +(32) 2 363 0030
FRANCE PARIS
Telephone +(33) 1 47 98 24 01
GERMANY MARBURG
Telephone +(49) 6420 82410
ITALY MILAN
Telephone +(39) 2 48 402258
SWITZERLAND OBERWIL-BASEL
Telephone +(41) 61 401 4344

AMERICAS

USA WILMINGTON MA
Telephone +(1) 508 658 5410
Toll free (USA Only) 800 848 9800

CANADA ONTARIO
Telephone +(1) 905 336 9119

BRAZIL SAO PAULO
Telephone +(55) 11 858 0377

SE ASIA

HONG KONG KOWLOON
Telephone +(852) 2 79691 11

SINGAPORE
Telephone +(65) 841 0615

JAPAN

TOKYO
Telephone +(81) 3 5470 6530

KOREA

SEOUL
Telephone 2 501 7070